

Quick Guide

Walk Through Metal Detector:
ZK-D1065/2180/3180S

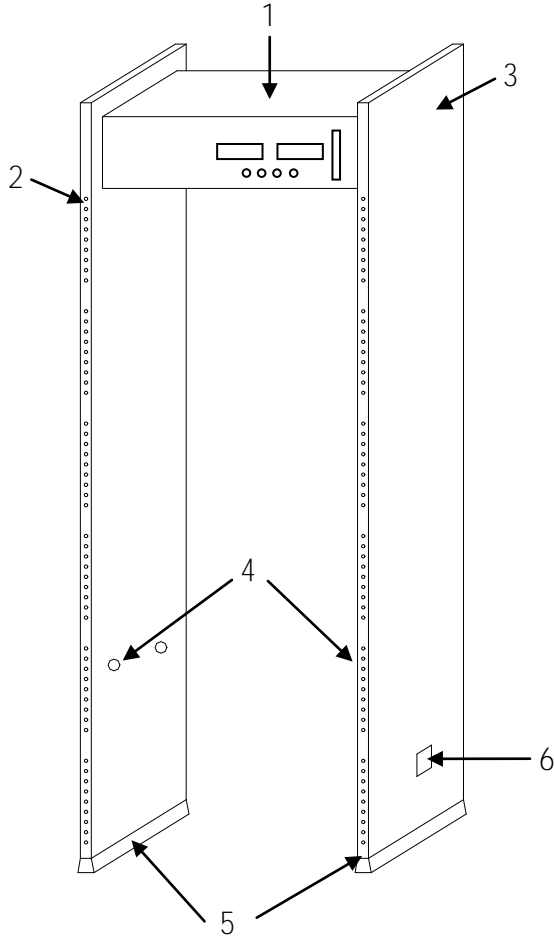
Version: 1.0

Contents

1 ZK-D1065S.....	1
1.1 Parts.....	1
1.2 Installation	2
1.3 Technical Parameters.....	3
2 ZK-D2180S.....	4
2.1 Parts.....	4
2.2 Installation	5
2.3 Technical Parameters.....	6
3 ZK-D3180S.....	7
3.1 Parts.....	7
3.2 Installation	8
3.3 Technical Parameters.....	9

1 ZK-D1065S

1.1 Parts



1. Control Unit Case

2. Alarm zone LED

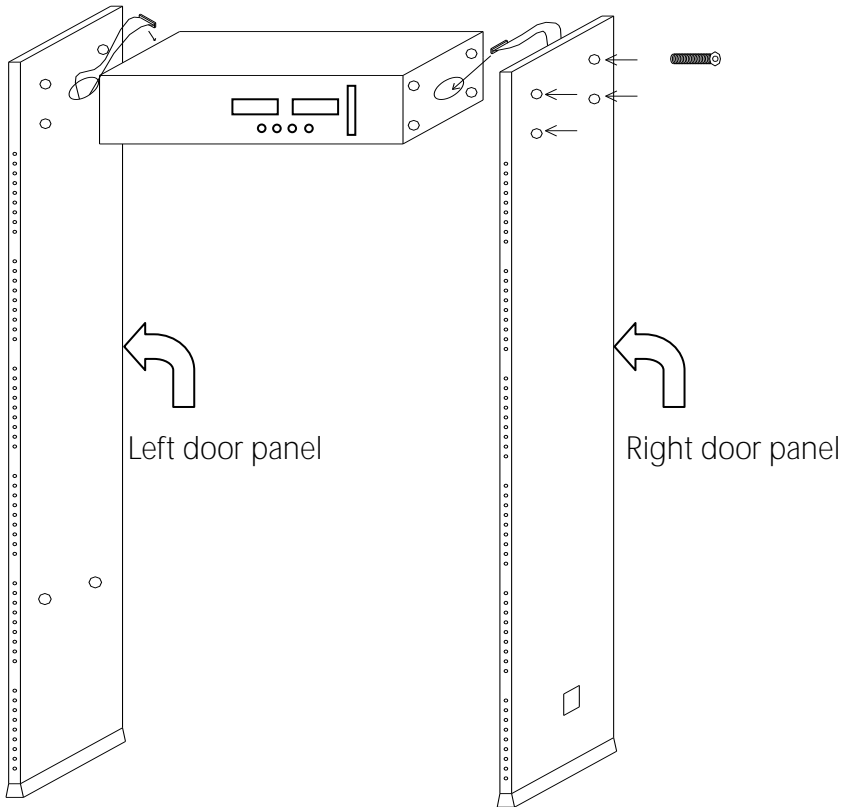
3. Built-in Probe

4. Infrared Sensors

5. Waterproof Foot Cover

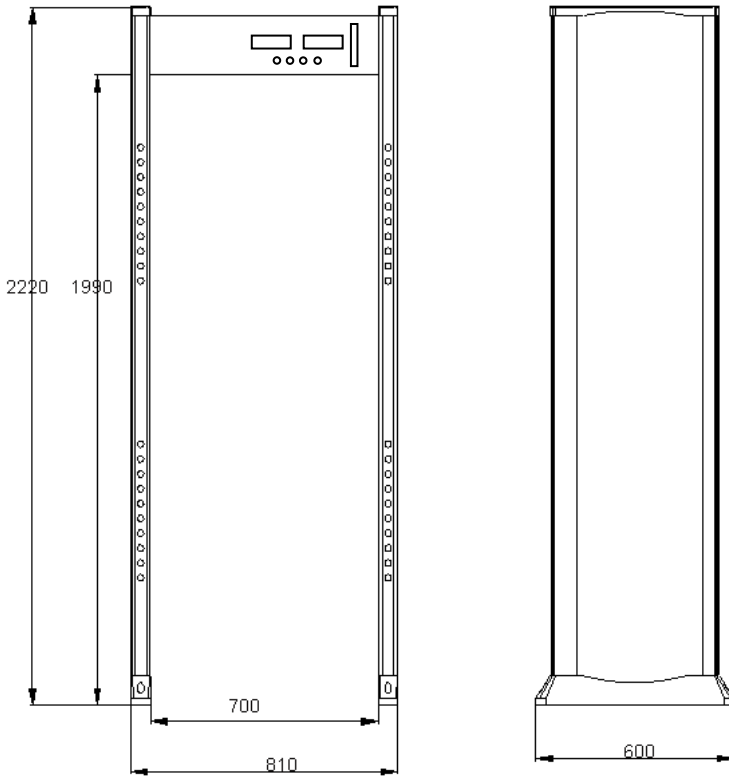
6. Power Line Interface

1.2 Installation



1. Remove the package of control unit and door panel.
2. Put the control unit case and door panels as above picture shown, and then connect the left and right door panel with the control unit case by bolts and nuts. Tightening screws.
3. Probe line of the left and right door panel tight inserted into the motherboard corresponding socket respectively.
4. Install the screw on the control unit case cover.
5. Lift the walk through metal detector to the vertical position and move to the assigned position.
6. Plug power cable.

1.3 Technical Parameters



Input voltage: 100-240V, 50/60Hz

Power: <30W

Gross weight: 70KG

Working temperature: -25°C ~ 55°C

Sensitivity: 100 steps adjustable

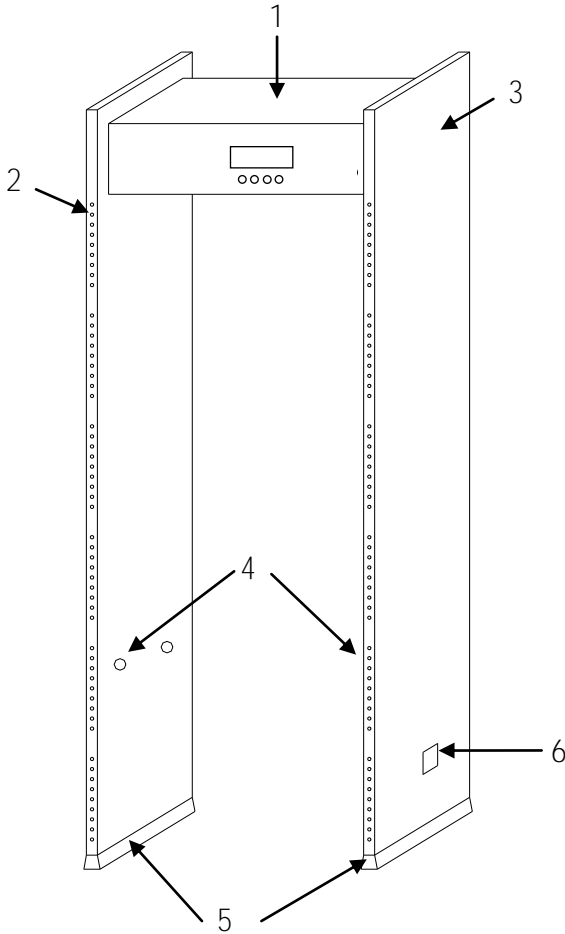
Alarm: Visible and audible alarm

Inner Dimensions: 1990mm (High) x 700mm (Wide) x 500mm (Deep)

External Dimensions: 2220mm (High) x 810mm (Wide) x 600mm (Deep)

2 ZK-D2180S

2.1 Parts



1. Control Unit Case

2. Alarm zone LED

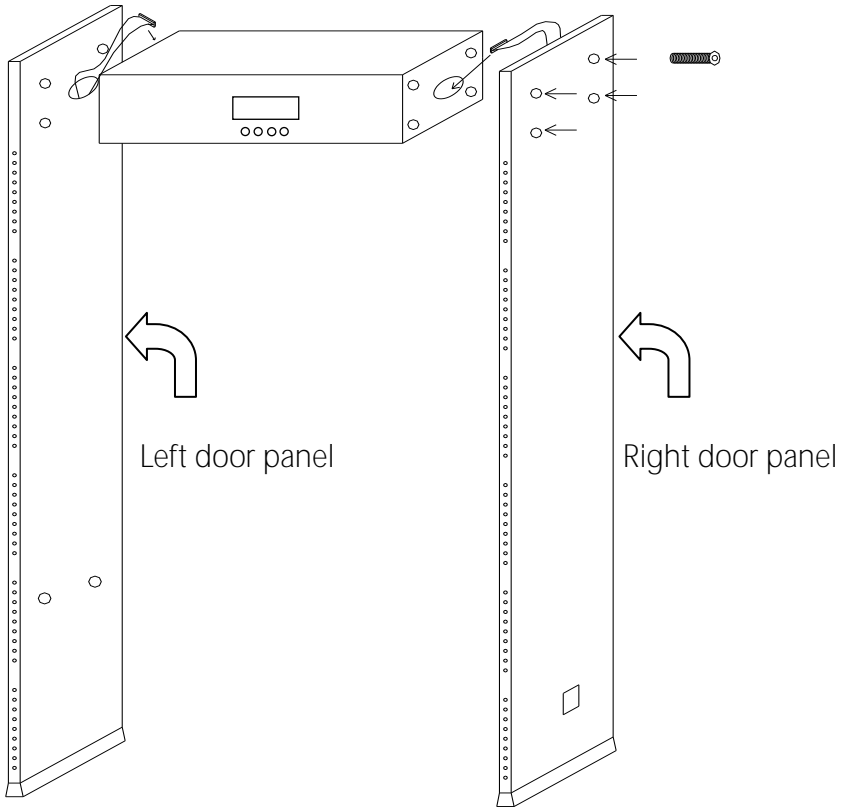
3. Built-in Probe

4. Infrared Sensors

5. Waterproof Foot Cover

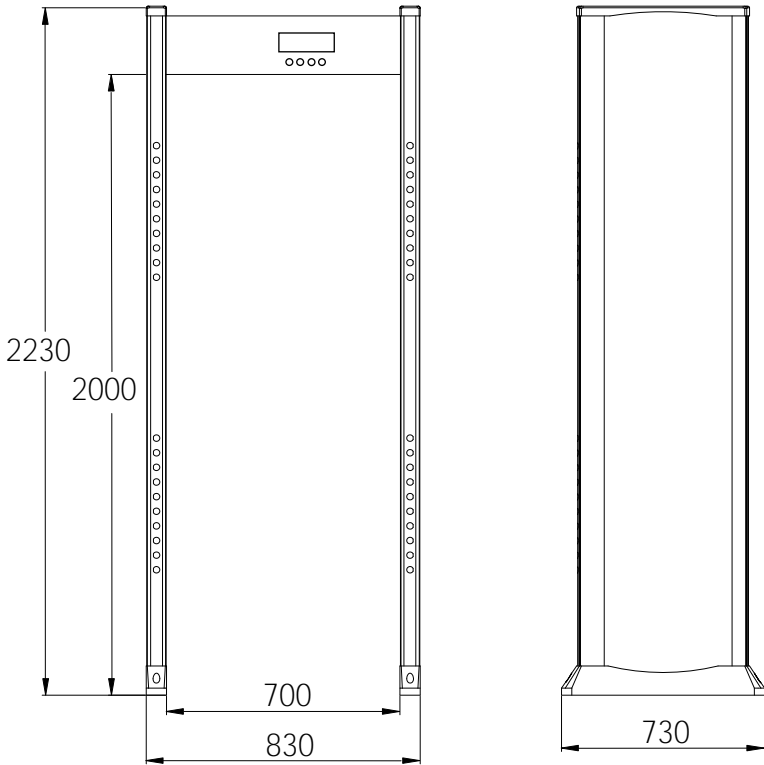
6. Power Line Interface

2.2 Installation



1. Remove the package of control unit and door panel.
2. Put the control unit case and door panels as above picture shown, then connect the left and right door panel with the control unit case by bolts and nuts. Tightening screws.
3. Probe line of the left and right door panel tight inserted into the motherboard corresponding socket respectively.
4. Install the screw on the control unit case cover.
5. Lift the walk through metal detector to the vertical position and move to the assigned position.
6. Plug power cable.

2.3 Technical Parameters



Input voltage: 100-240V, 50/60Hz

Power: <35W

Net weight: 67KG

Working temperature: 0 ~ 45°C

Sensitivity: 256 steps adjustable

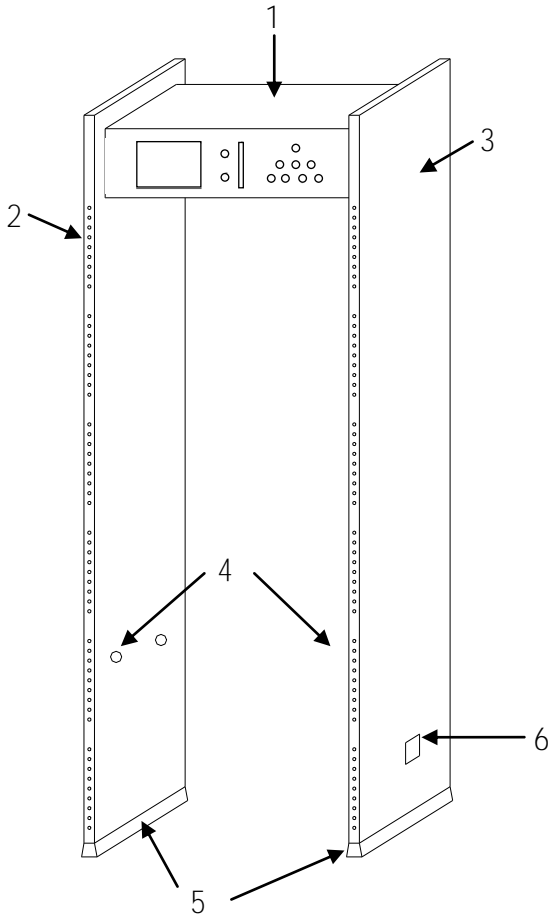
Alarm: Visible and audible alarm

Inner Dimensions: 2000mm (High) x 700mm (Wide) x 605mm (Deep)

External Dimensions: 2230mm (High) x 830mm (Wide) x 730mm (Deep)

3 ZK-D3180S

3.1 Parts



1. Control Unit Case

3. Built-in Probe

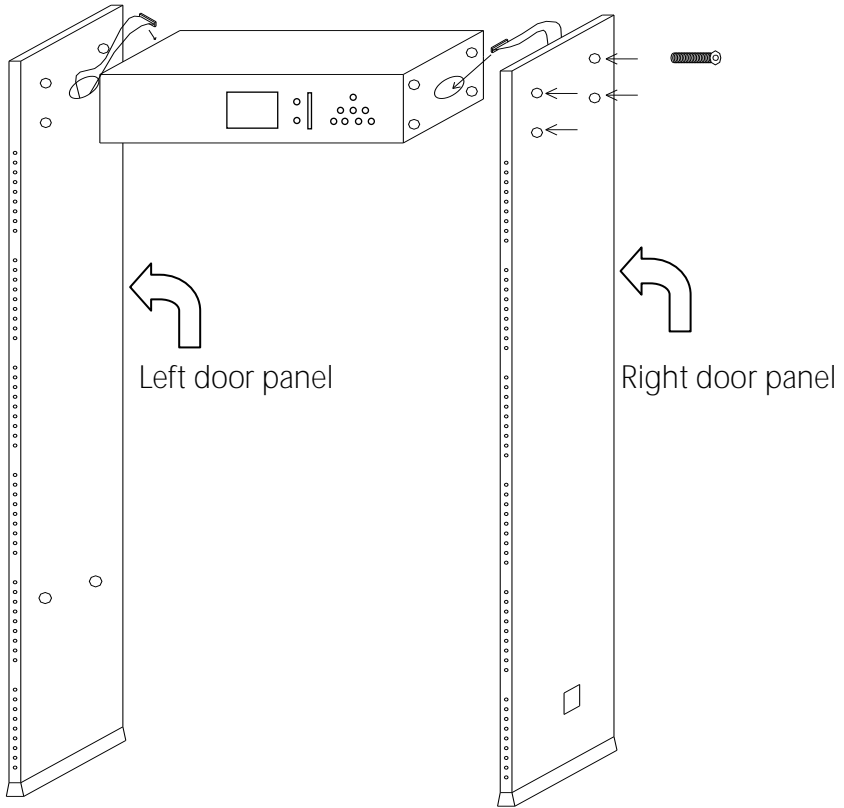
5. Waterproof Foot Cover

2. Alarm zone LED

4. Infrared Sensors

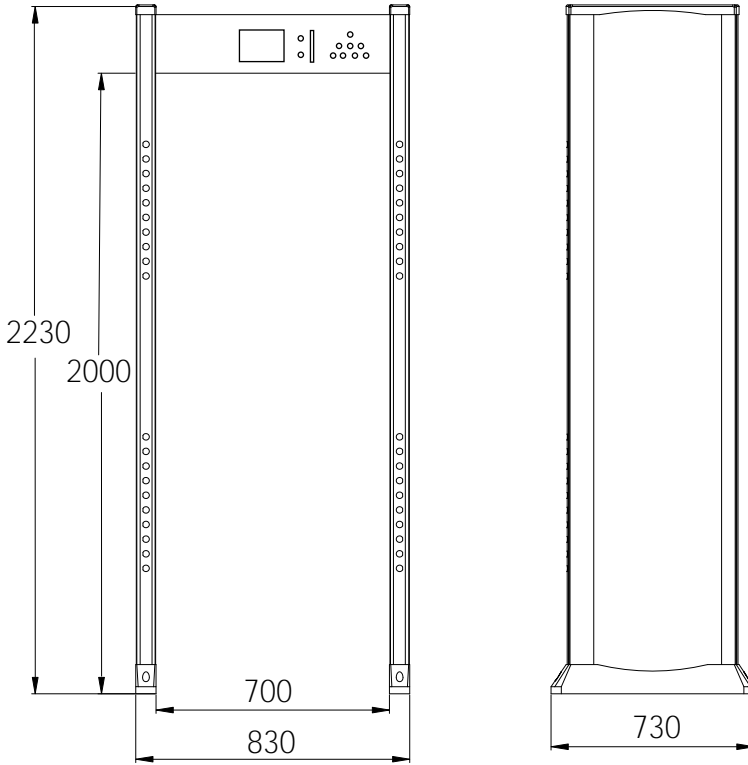
6. Power Line Interface

3.2 Installation



1. Remove the package of control unit and door panel.
2. Put the control unit case and door panels as above picture shown, then connect the left and right door panel with the control unit case by bolts and nuts. Tightening screws.
3. Probe line of the left and right door panel tight inserted into the motherboard corresponding socket respectively.
4. Install the screw on the control unit case cover.
5. Lift the walk through metal detector to the vertical position and move to the assigned position.
6. Plug power cable.

3.3 Technical Parameters



Input voltage: 100-240V, 50/60Hz

Power: <20W

Net weight: 65KG

Working temperature: -20°C ~ 45°C

Alarm: Visible and audible alarm

Inner Dimensions: 2000mm (High) x 700mm (Wide) x 605mm (Deep)

External Dimensions: 2230mm (High) x 830mm (Wide) x 730mm (Deep)